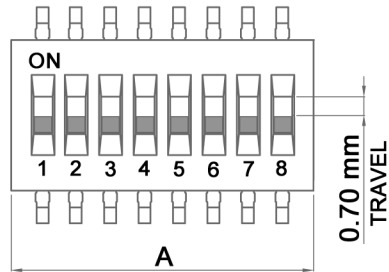
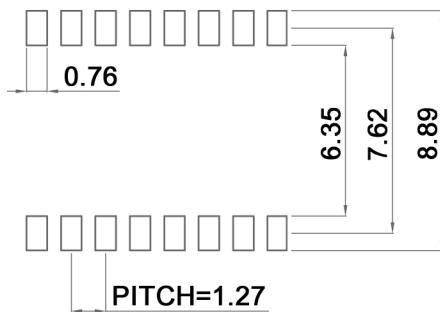


P.C. LAYOUT



Part No.	A
DHS 901	2.31
DHS 902	3.58
DHS 902-1	3.58
DHS 903	4.85
DHS 904	6.12
DHS 906	8.66
DHS 908	11.20
DHS 910	13.74
DHS 912	16.28

Specifications:

Contact rating: switching: 25mA, 24V DC
 non-switching: 100mA, 50V DC
 Contact resistance: 50mOhm max.
 Insulation resistance: 100MOhm min. at 500V DC
 Dielectric strength: 300V AC for 1 minute
 Operating temperature: -40°C to +105°C
 Storage temperature: -40°C to +105°C
 Operating force: 500g max.
 Mechanical life: 2 000 cycles
 Electrical life: 1 000 cycles
 Sealing: by protective tape, washable by aqueous detergents and isopropyl alcohol
 Material: Cover / base: PPS (UL94V-0), black
 Actuator: PA46 (UL94V-0), white
 Contact / terminal: 0.075µm gold plated over nickel



Tolerances: ±0.2mm			Date	Name
Sealing	11/13	dr	08/05	dr
Case design	07/13	dr		
Revised	07/10	dr		
Temperatures	04/10	dr		
DHS 901, DHS 903	10/09	dr		
DHS 902-1	10/08	dr		
Contact rating	10/08	dr		
Temperature	11/05	dr		
Modifications	Date	Name		

DHS 900

knitter-switch

30 06 71

Page

1/5

Soldering specification:

◆ Hand soldering

Soldering iron 30W max at 350°C for 3 sec max or at 270 for 5 sec max.

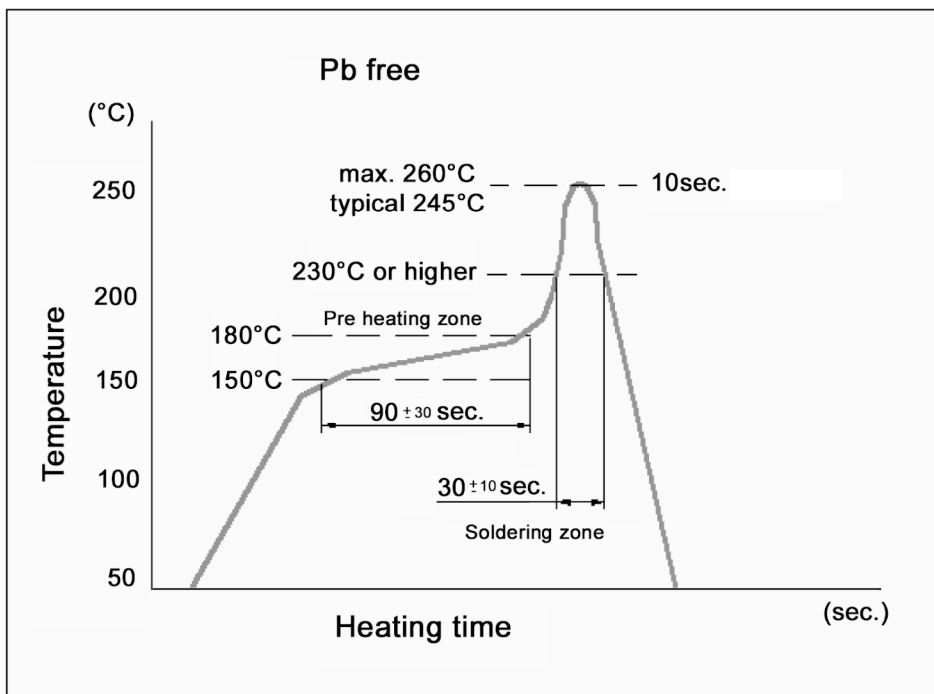
◆ Reflow soldering

260°C+/-5°C within 20 sec. In-line or Batch system. Apply reflow soldering only once.

◆ Keep all actuators in "OFF" position during soldering and cleaning process.

Switch operation and Taping

- (1) Use tweezers or ball-point pen for operation.
- (2) Flux cleaning should be done without removing the tape.
- (3) If the tape is removed, it adheres less than before when it is placed back on, possibly causing flux inflow
- (4) Do not remove tape seal before Reflow processing .
- (5) Ultrasonic cleaning not re-commended.



Tolerances:			Date	Name	<h1>DHS 900</h1>
			08/05	dr	
			knitter-switch		<h1>30 06 71</h1>
Modifications			Date	Name	Page 2/5

Vibration:

per MIL-STD-202F method 204D,
10-50Hz, 20G/0.06 inch double amplitude,
no mechanical damage,
no change of switch setting after the test performed for 90 minutes
in each of perpendicular direction.

Shock:

per MIL-STD-202F, method 213B,
1000G, 0.5 ms half-sine waveform
with no mechanical damage,
no change of switch setting after test performed 5 times
in each X,Y,Z direction.

Thermal shock:

per MIL-STD-202F method 103B,
for 5 cycles (1 cycle: -55°C, 25°C, 85°C, 25°C) condition A.

Humidity:

per MIL-STD-202F method 103B,
in a dry oven at a temperature of 40°C
and a humidity of 90% to 95% at 240 hours test time.

Life (heat proof):

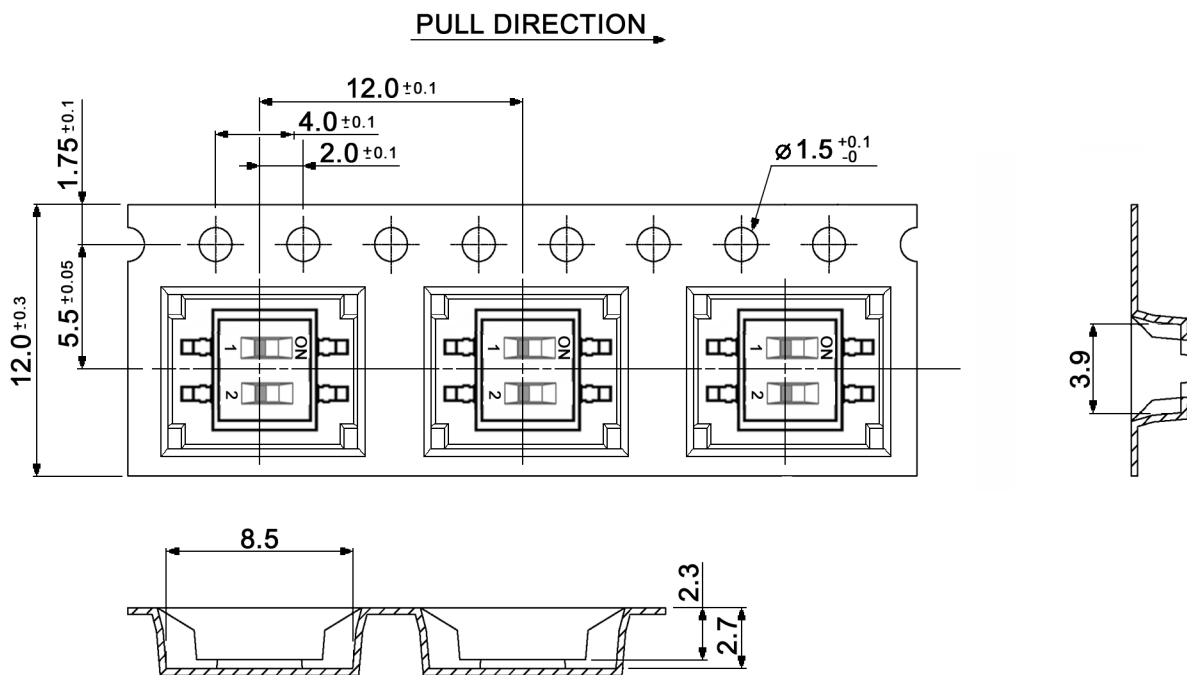
per MIL-STD-202F method 108A,
condition A & condition B.



Tolerances:			Date	Name	DHS 900
			08/05	dr	
			knitter-switch		30 06 71
					Page 3/5
Modifications	Date	Name			

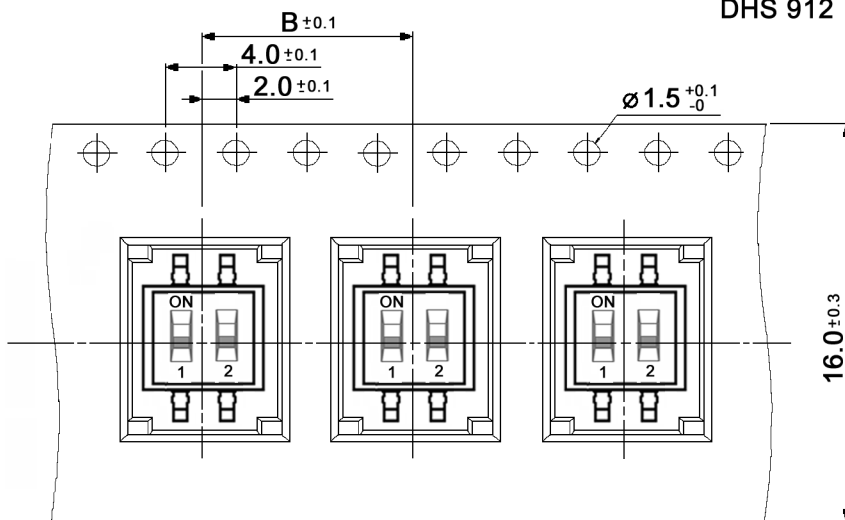
Packaging:

DHS 902-1 (2 000 pcs / reel):



Part No.	Carrier Width	Pcs. per Reel	B ₀	B
DHS 901	16.0	3 000	4.0	8.0
DHS 902	16.0	3 000	4.0	8.0
DHS 903	16.0	3 000	4.0	8.0
DHS 904	16.0	2 000	6.5	12.0
DHS 906	16.0	2 000	9.1	12.0
DHS 908	24.0	2 000	11.5	12.0
DHS 910	24.0	2 000	14.1	12.0
DHS 912	24.0	2 000	16.6	12.0

DHS 901 / 902 / 903:



Tolerances:	Date	Name
	08/05	dr
Modifications	Date	Name

DHS 900

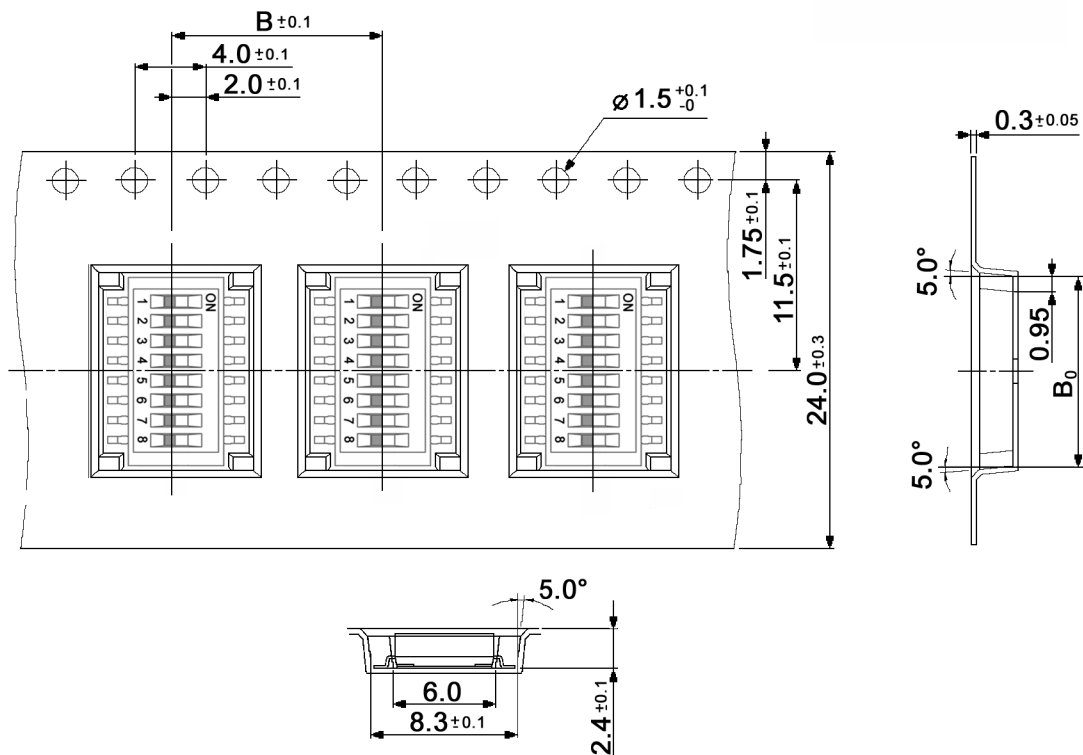
knitter-switch

30 06 71

Page

4/5

DHS 904 / 906 / 908 / 910 / 912:



Tolerances:			Date	Name	<h1>DHS 900</h1>	<h2>30 06 71</h2>	Page
			08/05	dr			
			knitter-switch	5/5			
Modifications	Date	Name					